

STATION OF DIGGING MATERIAL



FEATURES:

- Travelling crane of 55kW, load capacity 15t, hook stroke 35m
- Hydraulic bucket of 4m³
- N°2 hoppers of 50m³ completes of hydraulic freeing port



SYSTEMS FOR HANDLING MELTED MATERIALS



FEATURES:

system consisted in feed band, timing arm (bracket 12m), radial crane (load capacity 15t, gauge 25m, power 55kW), load hopper. Capacity 200 t/h.

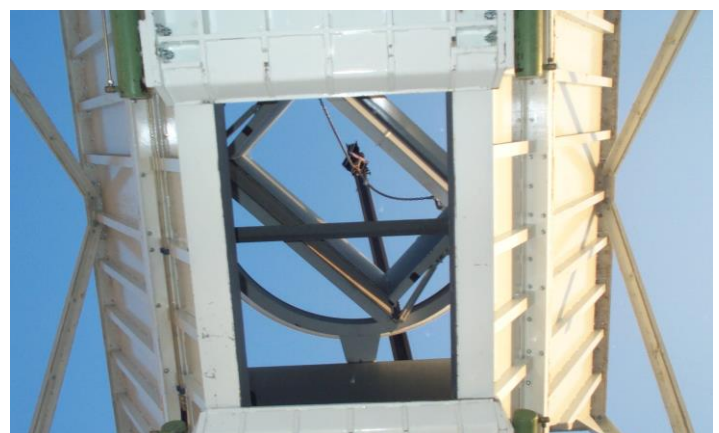
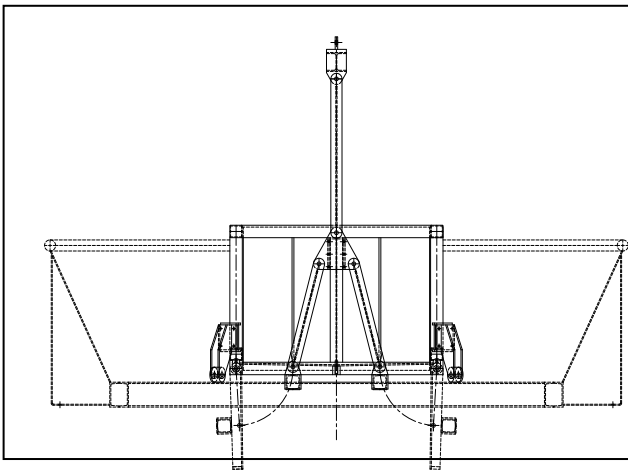
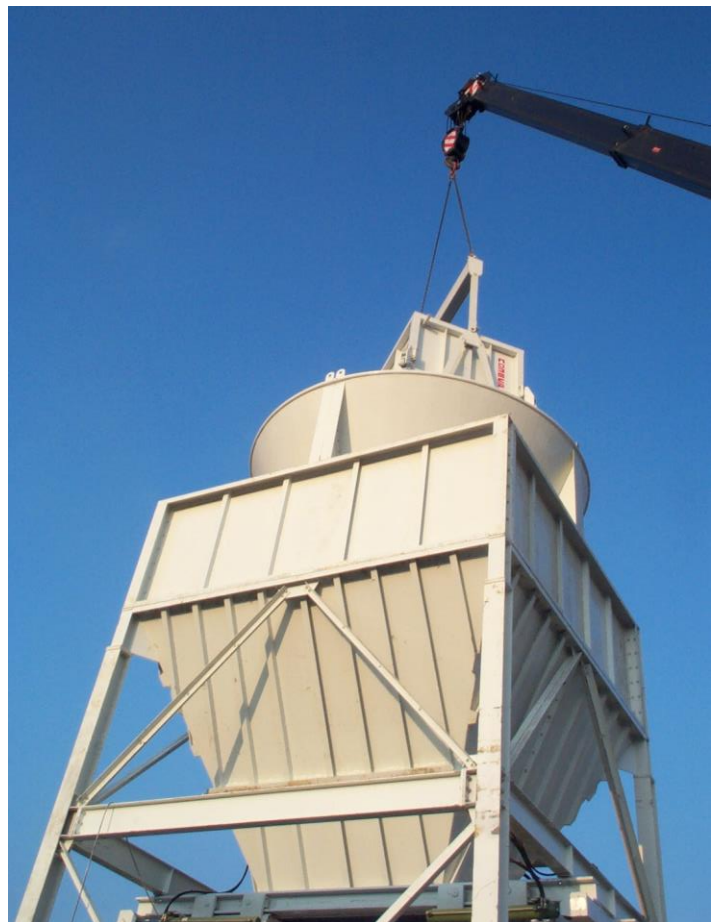


BUCKET DIGGING MATERIAL SYSTEM



FEATURES:

- Bucket with openable bottom of 4 m³
- Guide cone for the centering of the bucket
- Hopper of 50 m³ completed with hydraulic discharge



SILOS



FEATURES:

- Volume of 650 m³ completed with hydraulic or pneumatic discharge